



BF Domestic Fans

Bring energy-efficient power to your domestic space.

- Flexible Use
- Hard Wearing
- Low Noise
- Efficient Operation

[Find more details in our online catalogue.](#)

Flexible

The unit's unobtrusive design and range of installation options allow it to be used in bathrooms, storage areas, or locations where air circulation is a priority.

Durable

Each unit is built from robust, durable components and is fully recyclable once it has reached the end of its operational lifespan.

Versatility

Designed to provide the additional power to overcome long ducting systems, making it a flexible solution for a range of premises.

Part of our domestic line, the BF series is a centrifugal bathroom fan designed for use in demanding residential spaces and supplies easy-to-maintain, reliable support. The product is used for air circulation and extraction on small to medium-sized premises and avoids issues around damp and air freshness.

The unit can be mounted directly to walls, windows, panelling, ceilings, and other required locations. Each fan is housed within a hard-wearing ABS, shockproof coating that is finished in white. This uses a sealed design in conjunction with a curved centrifugal impeller paired with a two-speed motor mounted on sealed for life, quality ball bearings. This ensures hard-wearing performance, low noise, and maximum efficiency.

The BF fan is suitable for continuous use thanks to integral thermal protection that prevents unnecessary wear. Units are also made from fully recyclable components and deliverable in different configurations that include timers, humidistats, and other options. The unit is ideally suited for cool climates and is suitable for intermittent operation.

Technical parameters

Nominal data

Voltage (nominal)	230	V
Frequency	50	Hz
Phases	1~	
Input power	31	W
Input current	0.19	A
Impeller speed	2,253	rpm
Air flow	max 231	m³/h
Temperature of transported air	max 64	°C

Sound data

Sound pressure level at 3m (20m² Sabin)	54	dB(A)
---	----	-------

Protection/Classification

Enclosure class, motor	IP44
Insulation class	B

Data according to ErP

ErP ready	ErP 2018
-----------	----------

Dimensions and weights

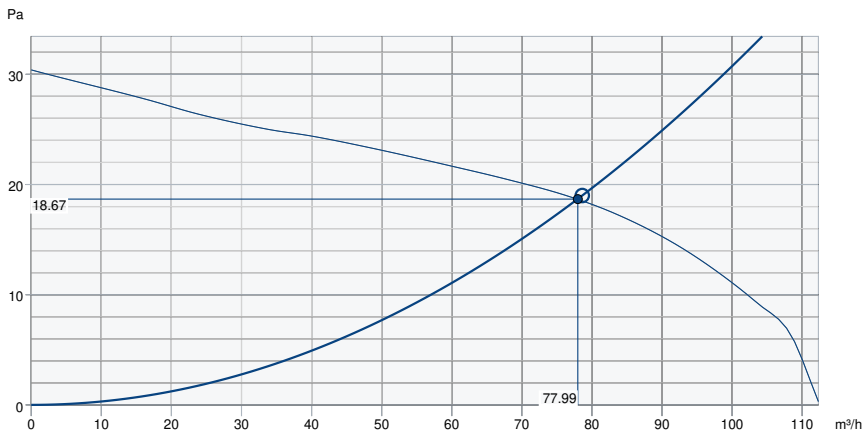
Duct dimension; Circular, inlet	150	mm
Weight	1	kg

Others

Motor type	AC
------------	----

Performance

Performance curve

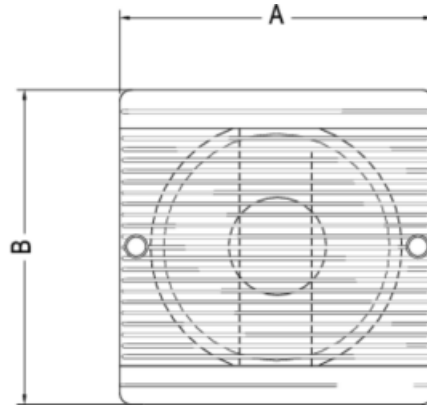
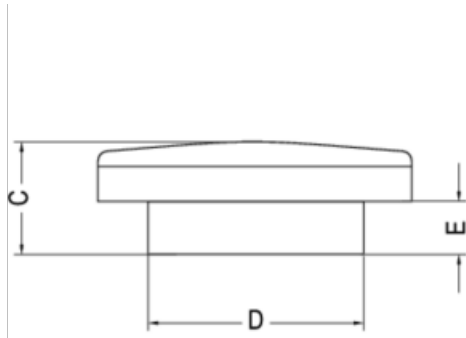


Hydraulic data

Required air flow	79 m³/h
Required static pressure	19 Pa
Working air flow	78 m³/h
Working static pressure	19 Pa
Air density	1.204 kg/m³
Power	0.02 kW
Fan control - RPM	2,161 rpm
Current	0.10 A
SFP	0.881 kW/m³/s
Control voltage	230.0 V
Supply voltage	230 V

Sound power level		63	125	250	500	1k	2k	4k	8k	Total
Inlet	dB(A)	31	45	48	51	50	48	42	32	56
Outlet	dB(A)	31	46	48	48	49	48	44	34	55

Dimension



A	B	C	D	E
205	205	96	150	46

Accessories

- BDS150 Back draught shutter (5929)

Documents

- BF150_IMO SE,GB,FR,DE.pdf
- Decl.of Conformity BF_BVK 150.pdf
- EG-KONFORMITAETSERKLAERUNG BF_BVK_DE-EN.PDF